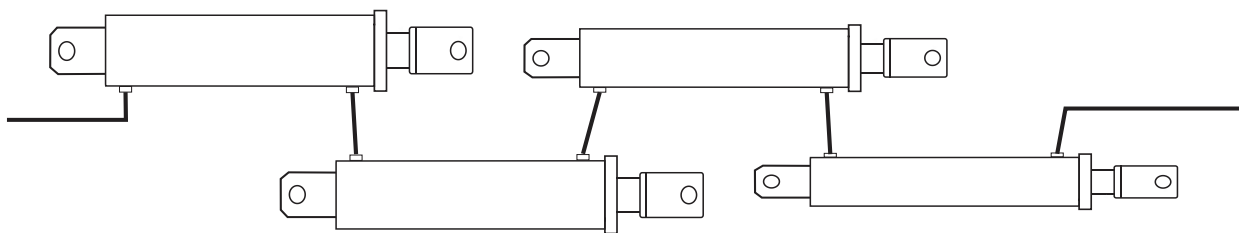




# Hydraulic Cylinders



<i>AG Series 1.5" Bore</i>	1.1
<i>AG Series 2.0" Bore</i>	1.2
<i>AG Series 2.5" Bore</i>	1.3
<i>AG Series 3.0" Bore</i>	1.4
<i>AG Series 3.5" Bore</i>	1.5
<i>AG Series 4.0" Bore</i>	1.6
<i>AG Series 5.0" Bore</i>	1.7
<i>Top Link Cylinders</i>	2.1
<i>IND Series 1.5" Bore</i>	3.1
<i>IND Series 2.0" Bore</i>	3.2
<i>IND Series 2.5" Bore</i>	3.3
<i>IND Series 3.0" Bore</i>	3.4
<i>IND Series 3.5" Bore</i>	3.5
<i>IND Series 4.0" Bore</i>	3.6
<i>IND Series 4.5" Bore</i>	3.7
<i>IND Series 5.0" Bore</i>	3.8
<i>Phasing Cylinders</i>	4.1





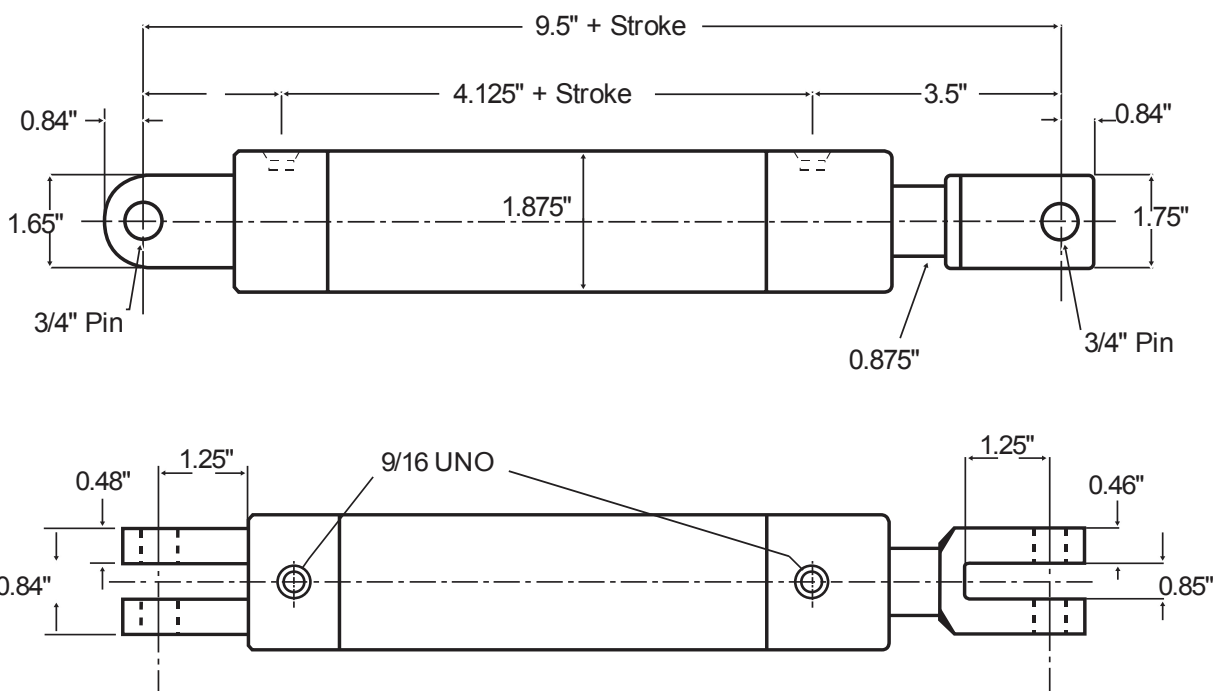
# AG Cylinders



## 1.5" Bore

Max Pressure 3500 psi, 2.3 tonne capacity @ 3000 psi

Size	Stroke	Closed Centre	Rod	Pin	Ports	Weight
AG 1502	2.0"	11.5"	0.875"	0.75"	9/16 UNO	3.3 kg
AG 1504	4.0"	13.5"				3.8 kg
AG 1506	6.0"	15.5"				4.3 kg
AG 1508	8.0"	17.5"				4.8 kg
AG 1510	10.0"	19.5"				5.3 kg
AG 1512	12.0"	21.5"				5.8 kg
AG 1516	16.0"	25.5"				6.8 kg
AG 1518	18.0"	27.5"				7.3 kg
AG 1520	20.0"	29.5"				7.8 kg
AG 1524	24.0"	33.5"				8.8 kg
AG 1530	30.0"	39.5"				10.3 kg
AG 1536	36.0"	45.5"				11.8 kg
AG 1548	48.0"	57.5"				18 kg





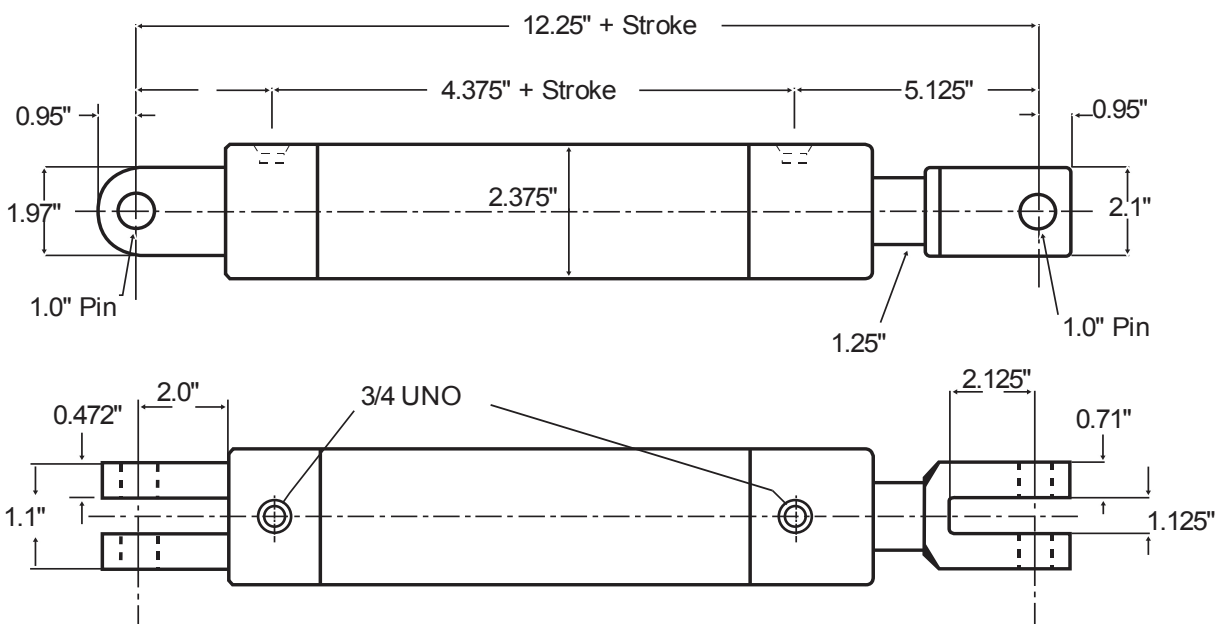
# AG Cylinders



## 2.0" Bore

Max Pressure 3500 psi, 4.2 tonne capacity @ 3000 psi

Size	Stroke	Closed Centre	Rod	Pin	Ports	Weight
AG 2002	2.0"	12.25 + Stroke	1.25"	1.0"	9/16"	7.4 kg
AG 2004	4.0"					8.2 kg
AG 2006	6.0"					9.0 kg
AG 2008	8.0"					9.8 kg
AG 2010	10.0"					10.6 kg
AG 2012	12.0"					11.4 kg
AG 2014	14.0"					12.2 kg
AG 2016	16.0"					13.0 kg
AG 2018	18.0"					13.8 kg
AG 2020	20.0"					14.6 kg
AG 2022	22.0"					15.4 kg
AG 2024	24.0"					16.2 kg
AG 2026	26.0"					17.0 kg
AG 2028	28.0"					17.8 kg
AG 2030	30.0"					18.6 kg
AG 2036	36.0"					21.0 kg
AG 2042	42.0"	23.4 kg				
AG 2048	48.0"	25.8 kg				





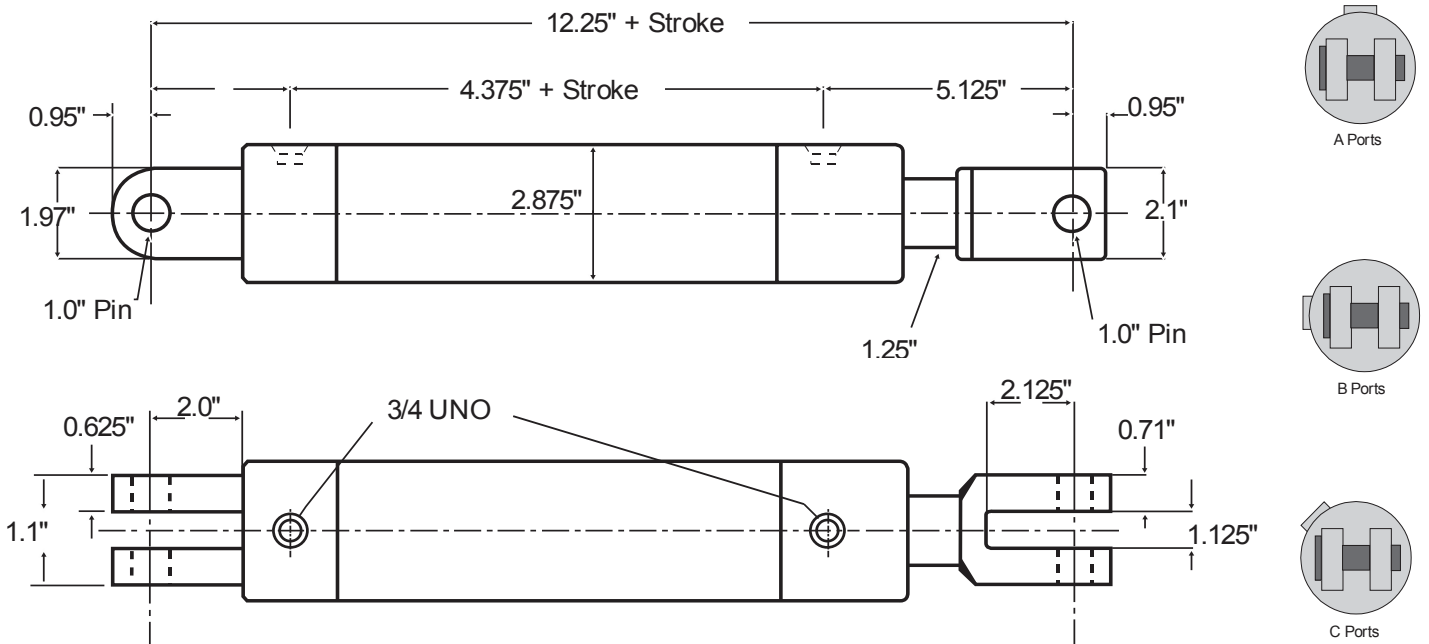
# AG Cylinders



## 2.5" Bore

Max Pressure 3500 psi, 6.6 tonne capacity @ 3000 psi

Size	Stroke	Closed Centre	Rod	Pin	Ports	Weight
AG 2504	4.0"	12.25" + Stroke	1.5"	1.0"	3/4 UNO	9.0 kg
AG 2506	6.0"					10.0 kg
AG 2508	8.0"					11.0 kg
AG 2510	10.0"					12.0 kg
AG 2512	12.0"					13.0 kg
AG 2514	14.0"					14.0 kg
AG 2516	16.0"					15.0 kg
AG 2518	18.0"					15.0 kg
AG 2520	20.0"					16.0 kg
AG 2522	22.0"					17.0 kg
AG 2524	24.0"					18.0 kg
AG 2526	26.0"					19.0 kg
AG 2528	28.0"					20.0 kg
AG 2530	30.0"					21.0 kg
AG 2536	36.0"					23.0 kg
AG 2542	42.0"					26.0 kg
AG 2548	48.0"	29.0 kg				





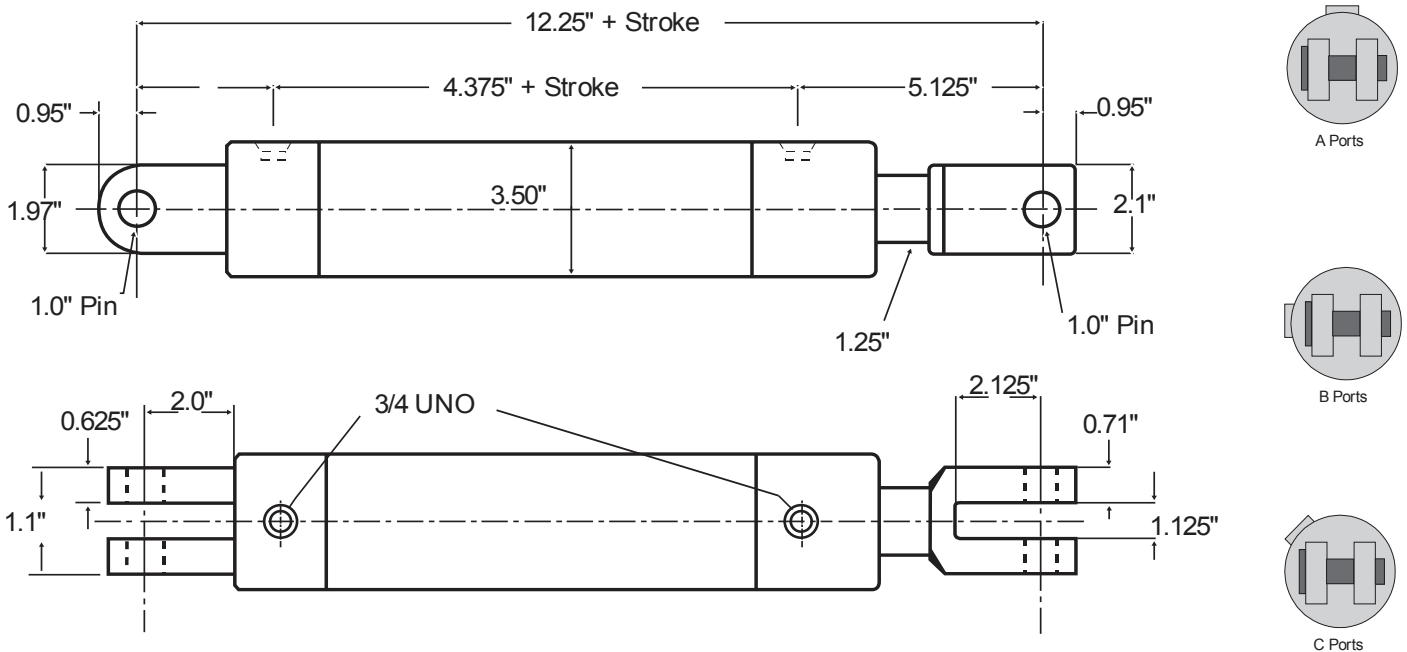
# AG Cylinders



## 3.0" Bore

Max Pressure 3250 psi, 9.5 tonne capacity @ 3000 psi

Size	Stroke	Closed Centre	Rod	Pin	Ports	Weight
AG 3004	4.0"	12.25 + Stroke	1.5"	1.0"	3/4 UNO	12.0 kg
AG 3006	6.0"					13.0 kg
AG 3008	8.0"					14.0 kg
AG 3010	10.0"					15.0 kg
AG 3012	12.0"					17.0 kg
AG 3014	14.0"					18.0 kg
AG 3016	16.0"					19.0 kg
AG 3018	18.0"					20.0 kg
AG 3020	20.0"					21.0 kg
AG 3022	22.0"					22.0 kg
AG 3024	24.0"					23.0 kg
AG 3026	26.0"					24.0 kg
AG 3028	28.0"					26.0 kg
AG 3030	30.0"					27.0 kg
AG 3036	36.0"					30.0 kg
AG 3042	42.0"					33.0 kg
AG 3048	48.0"	37.0 kg				





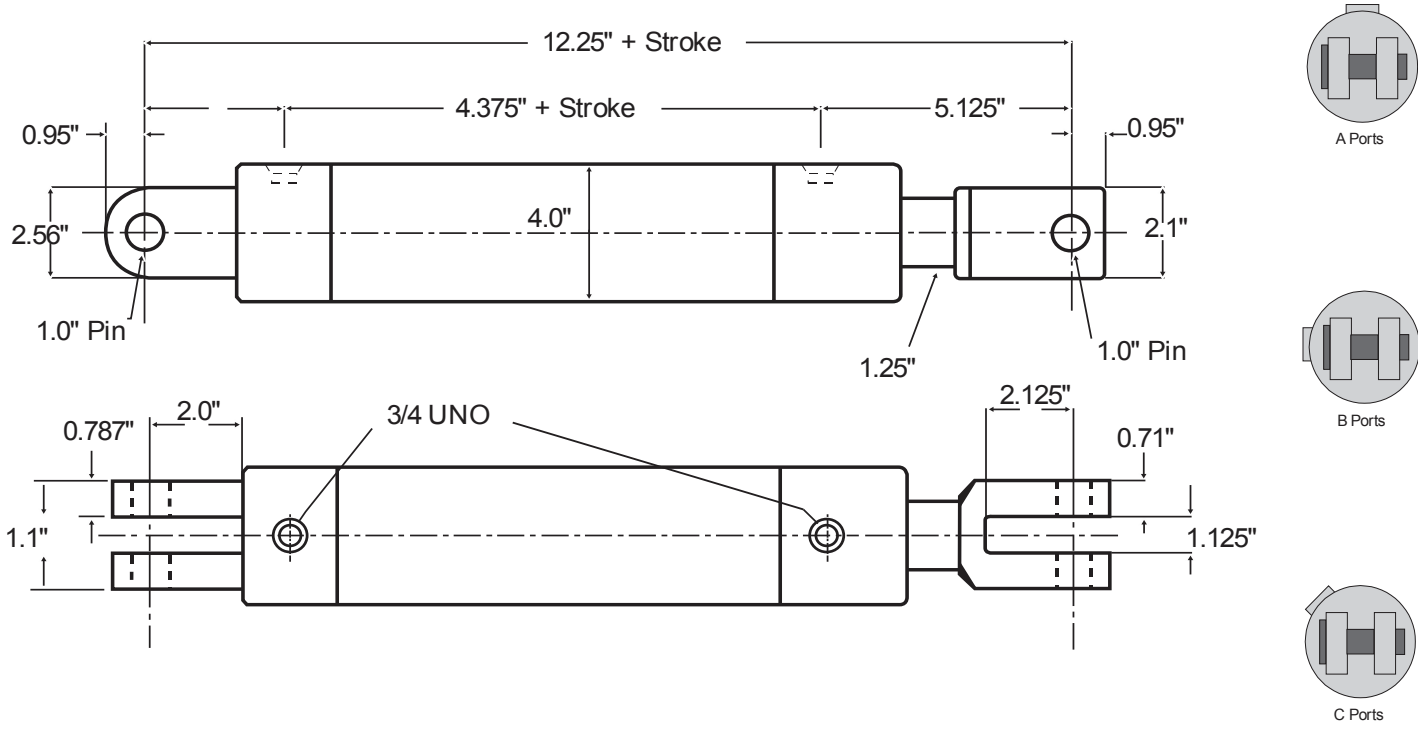
# AG Cylinders



## 3.5" Bore

Max Pressure 3250 psi, 12.8 tonne capacity @ 3000 psi

Size	Stroke	Closed Centre	Rod	Pin	Ports	Weight
AG 3506	6.0"	12.25' + Stroke	1.75"	1.0"	3/4 UNO	22.0 kg
AG 3508	8.0"					23.0 kg
AG 3510	10.0"					25.0kg
AG 3512	12.0"					26.0 kg
AG 3514	14.0"					27.0 kg
AG 3516	16.0"					29.0 kg
AG 3518	18.0"					30.0 kg
AG 3520	20.0"					32.0 kg
AG 3524	24.0"					34.0 kg
AG 3530	30.0"					39.0 kg
AG 3536	36.0"					43.0 kg
AG 3542	42.0"					47.0 kg
AG 3548	48.0"	51.0 kg				







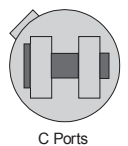
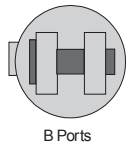
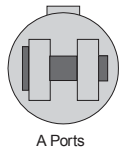
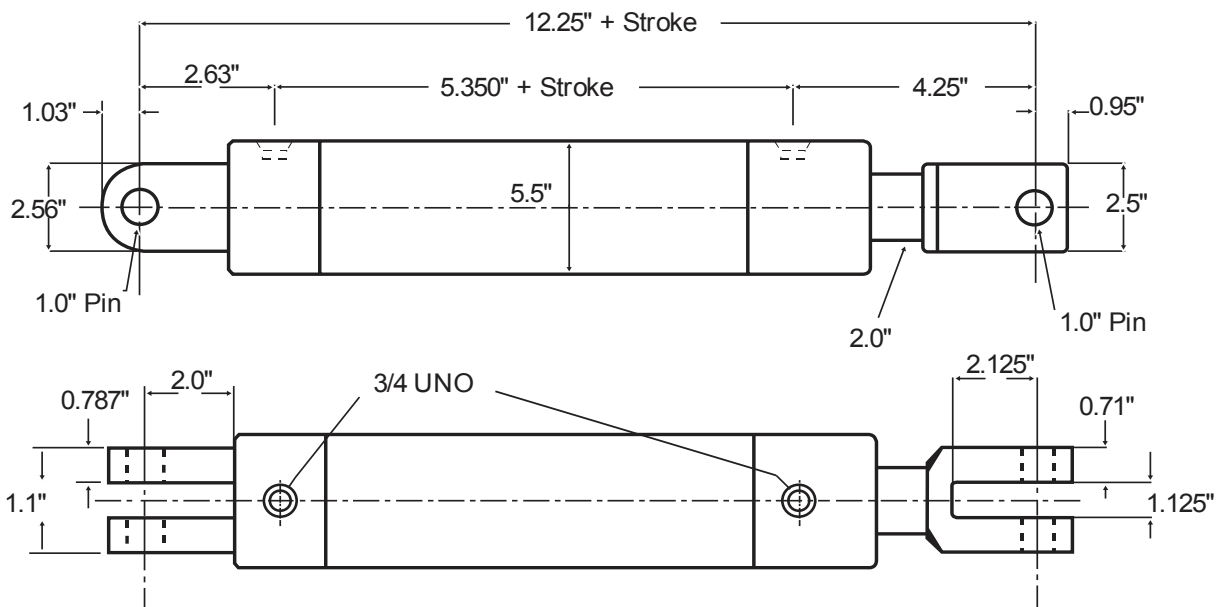
# AG Cylinders



## 5.0" Bore

Max Pressure 3000 psi, 26 tonne capacity @ 3000 psi

Size	Stroke	Closed Centre	Rod	Pin	Ports	Weight
AG 5008	8.0"	12.25" + Stroke	2.0"	1.0"	3/4 UNO	31.0 kg
AG 5012	12.0"					35.0 kg
AG 5016	16.0"					38.0 kg
AG 5018	18.0"					40.0 kg
AG 5020	20.0"					42.0 kg
AG 5024	24.0"					46.0 kg
AG 5030	30.0"					52.0 kg
AG 5036	36.0"					57.0 kg
AG 5048	48.0"					69.0 kg







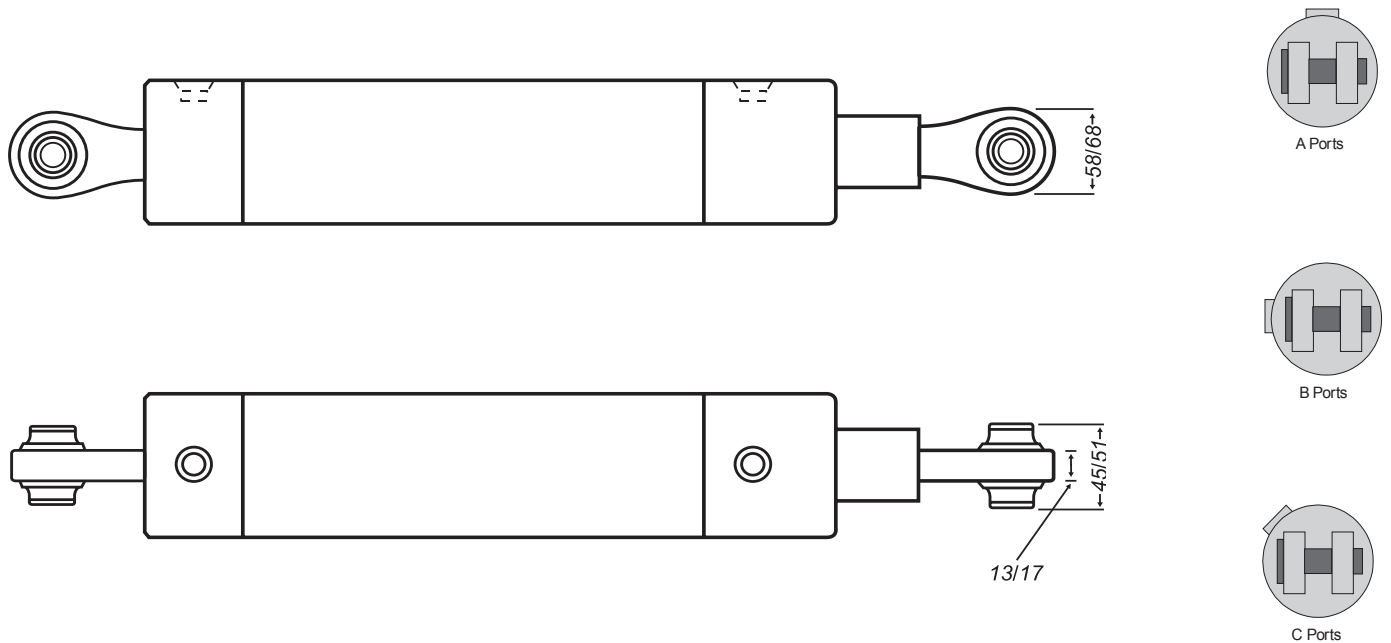
## Top Link AG Cylinders



### Top Link

Pressure & Capacity the same as AG Series

Size	Stroke	Closed Centre	Rod	Pin	Ports	Weight
CAT 1	Same As AG Series	Same As AG Series	Same As AG Series	3/4"	Same As AG Series	Same as AG Series
CAT 2				1.0"		



All Dimensions are the same as AG series.

CAT1 and CAT2 end can be applied to any AG series Cylinder

Top Link suffix on Part Number, CAT1 = T1, CAT2 = T2



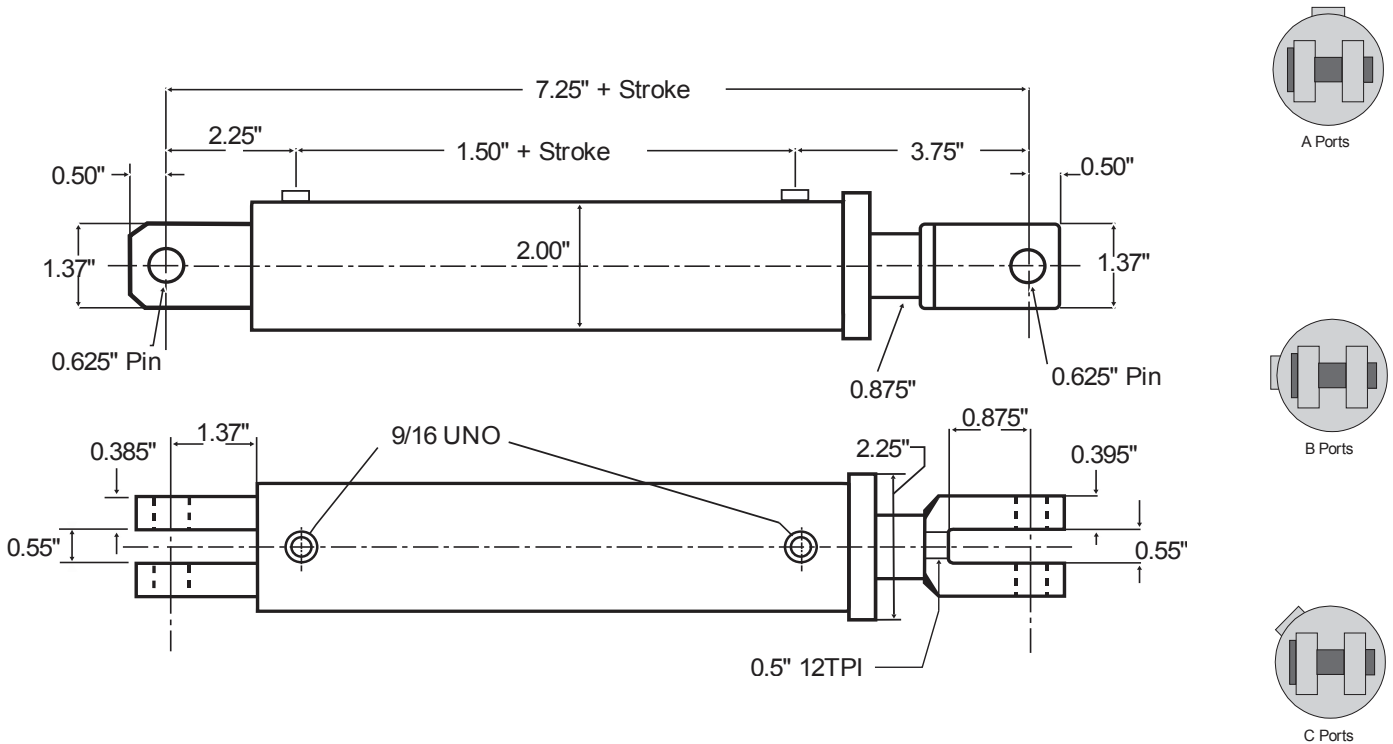
# Industrial Cylinders



## 1.5" Bore

Max Pressure 3500 psi, 2.3 tonne capacity @ 3000 psi

Size	Stroke	Closed Centre	Rod	Pin	Ports	Weight
IND 1502	2.0"	9.25"	0.875"	0.625"	9/16 UNO	3.3 kg
IND 1504	4.0"	11.25"				3.8 kg
IND 1506	6.0"	13.25"				4.3 kg
IND 1508	8.0"	15.25"				4.8 kg
IND 1510	10.0"	17.25"				5.3 kg
IND 1512	12.0"	19.25"				5.8 kg
IND 1516	16.0"	23.25"				6.8 kg
IND 1518	18.0"	25.25"				7.3 kg
IND 1520	20.0"	27.25"				7.8 kg
IND 1524	24.0"	31.25"				8.8 kg
IND 1530	30.0"	37.25"				10.3 kg
IND 1536	36.0"	43.25"				11.8 kg
IND 1548	48.0"	55.25"	18 kg			





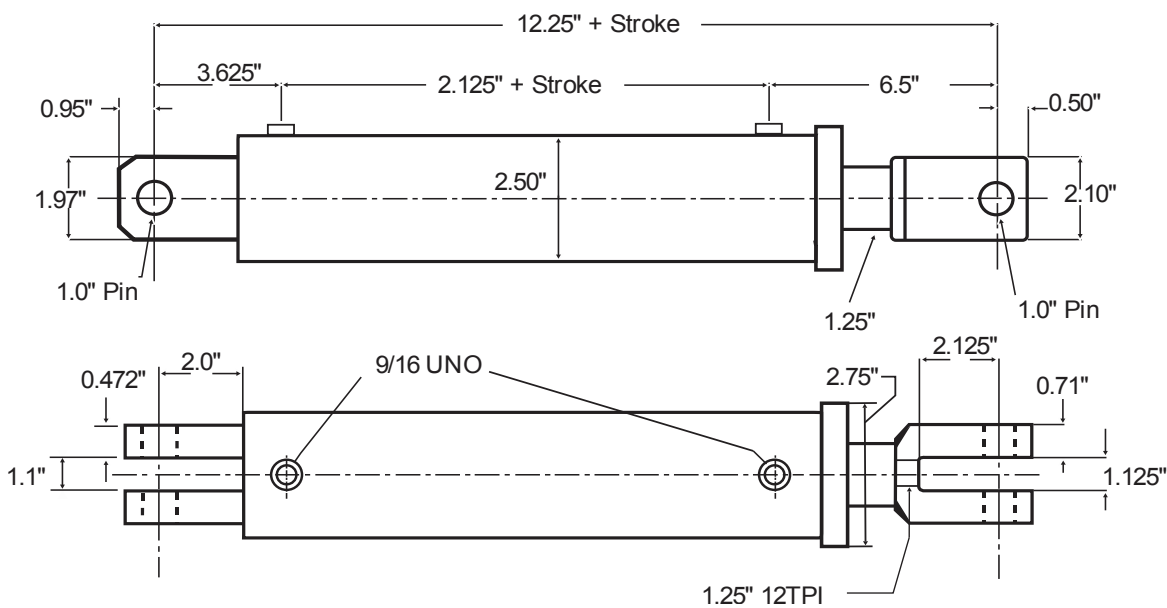
# Industrial Cylinders



## 2.0" Bore

Max Pressure 3500 psi, 4.2 tonne capacity @ 3000 psi

Size	Stroke	Closed Centre	Rod	Pin	Ports	Weight
IND 2002	2.0"	12.25 + Stroke	1.25"	1.0"	3/4 UNO	7.4 kg
IND 2004	4.0"					8.2 kg
IND 2006	6.0"					9.0 kg
IND 2008	8.0"					9.8 kg
IND 2010	10.0"					10.6 kg
IND 2012	12.0"					11.4 kg
IND 2014	14.0"					12.2 kg
IND 2016	16.0"					13.0 kg
IND 2018	18.0"					13.8 kg
IND 2020	20.0"					14.6 kg
IND 2022	22.0"					15.4 kg
IND 2024	24.0"					16.2 kg
IND 2026	26.0"					17.0 kg
IND 2028	28.0"					17.8 kg
IND 2030	30.0"					18.6 kg
IND 2036	36.0"					21.0 kg
IND 2042	42.0"	23.4 kg				
IND 2048	48.0"	25.8 kg				





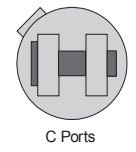
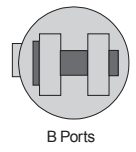
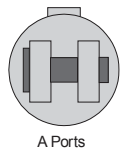
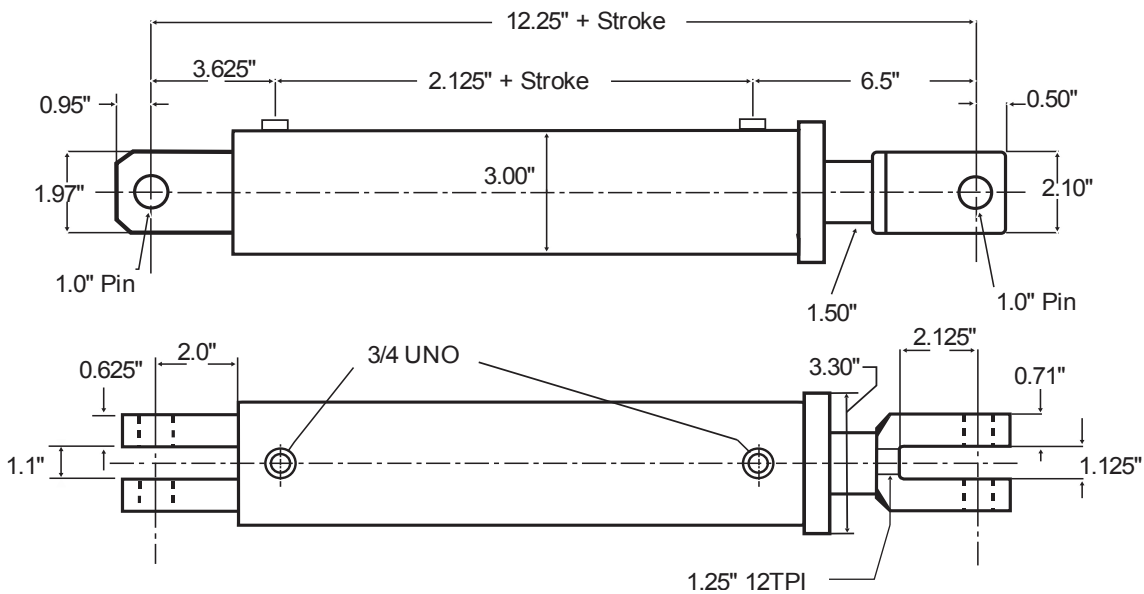
# Industrial Cylinders



## 2.5" Bore

Max Pressure 3500 psi, 6.6 tonne capacity @ 3000 psi

Size	Stroke	Closed Centre	Rod	Pin	Ports	Weight
IND 2504	4.0"	12.25" + Stroke	1.5"	1.0"	3/4 UNO	9.0 kg
IND 2506	6.0"					10.0 kg
IND 2508	8.0"					11.0 kg
IND 2510	10.0"					12.0 kg
IND 2512	12.0"					13.0 kg
IND 2514	14.0"					14.0 kg
IND 2516	16.0"					15.0 kg
IND 2518	18.0"					15.0 kg
IND 2520	20.0"					16.0 kg
IND 2522	22.0"					17.0 kg
IND 2524	24.0"					18.0 kg
IND 2526	26.0"					19.0 kg
IND 2528	28.0"					20.0 kg
IND 2530	30.0"					21.0 kg
IND 2536	36.0"					23.0 kg
IND 2542	42.0"					26.0 kg
IND 2548	48.0"	29.0 kg				





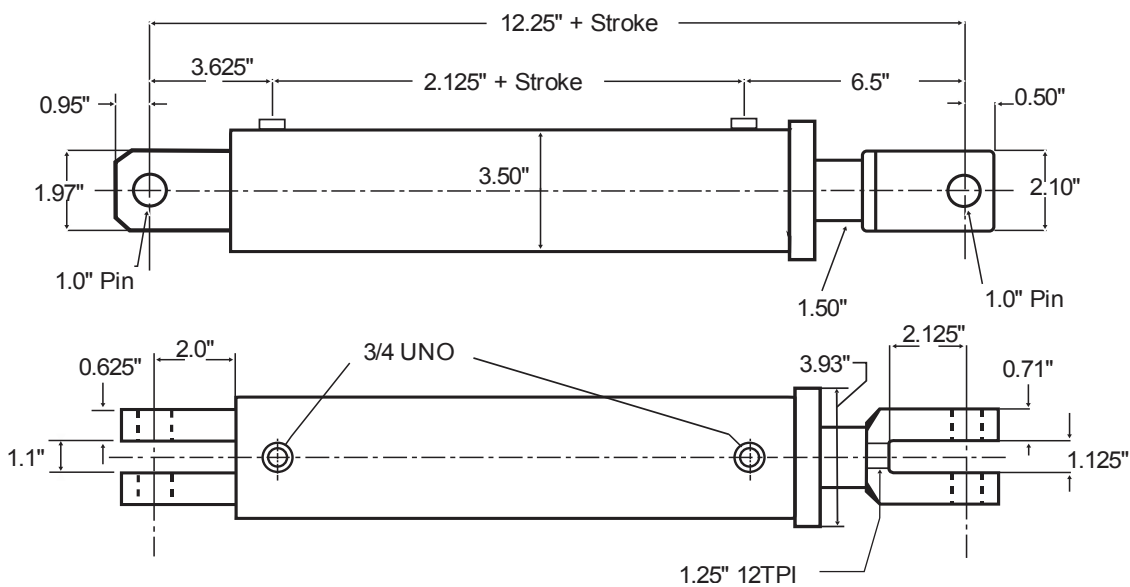
# Industrial Cylinders



## 3.0" Bore

Max Pressure 3250 psi, 9.5 tonne capacity @ 3000 psi

Size	Stroke	Closed Centre	Rod	Pin	Ports	Weight
IND 3004	4.0"	12.25 + Stroke	1.5" (1.75" Also Available)	1.0"	3/4 UNO	12.0 kg
IND 3006	6.0"					13.0 kg
IND 3008	8.0"					14.0 kg
IND 3010	10.0"					15.0 kg
IND 3012	12.0"					17.0 kg
IND 3014	14.0"					18.0 kg
IND 3016	16.0"					19.0 kg
IND 3018	18.0"					20.0 kg
IND 3020	20.0"					21.0 kg
IND 3022	22.0"					22.0 kg
IND 3024	24.0"					23.0 kg
IND 3026	26.0"					24.0 kg
IND 3028	28.0"					26.0 kg
IND 3030	30.0"					27.0 kg
IND 3036	36.0"					30.0 kg
IND 3042	42.0"					33.0 kg
IND 3048	48.0"	37.0 kg				





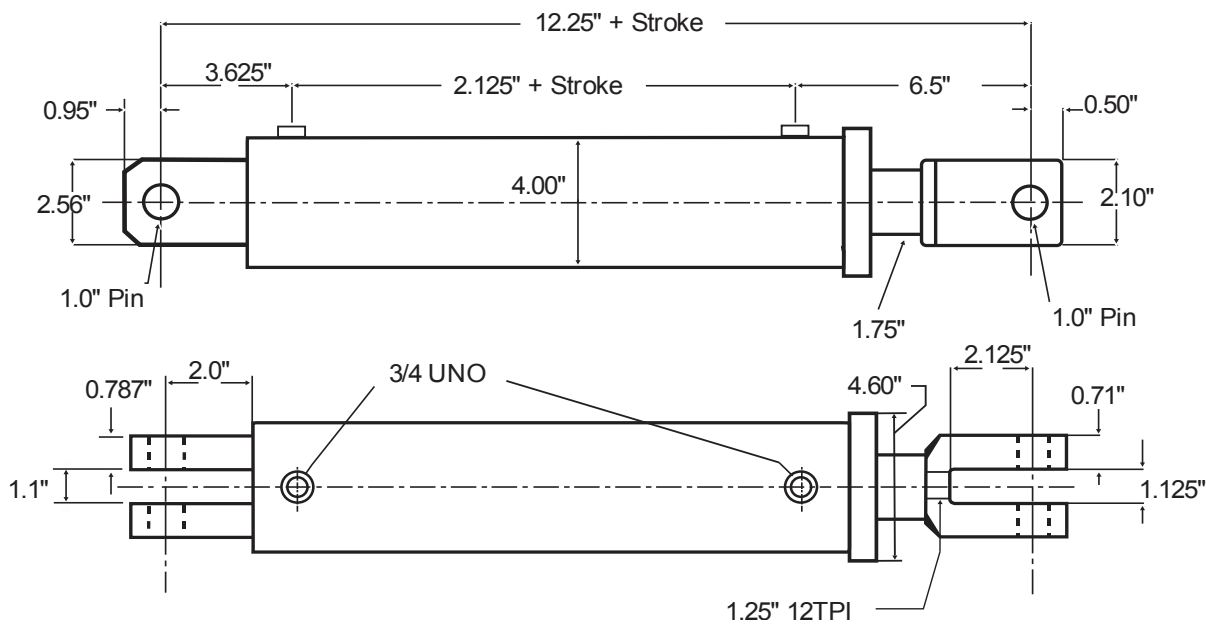
# Industrial Cylinders



## 3.5" Bore

Max Pressure 3250 psi, 12.8 tonne capacity @ 3000 psi

Size	Stroke	Closed Centre	Rod	Pin	Ports	Weight
IND 3506	6.0"	12.25" + Stroke	1.75" (2.0" also Available)	1.0"	3/4 UNO	22.0 kg
IND 3506	8.0"					23.0 kg
IND 3510	10.0"					25.0kg
IND 3512	12.0"					26.0 kg
IND 3514	14.0"					27.0 kg
IND 3516	16.0"					29.0 kg
IND 3518	18.0"					30.0 kg
IND 3520	20.0"					32.0 kg
IND 3524	24.0"					34.0 kg
IND 3530	30.0"					39.0 kg
IND 3536	36.0"					43.0 kg
IND 3542	42.0"					47.0 kg
IND 3548	48.0"					51.0 kg





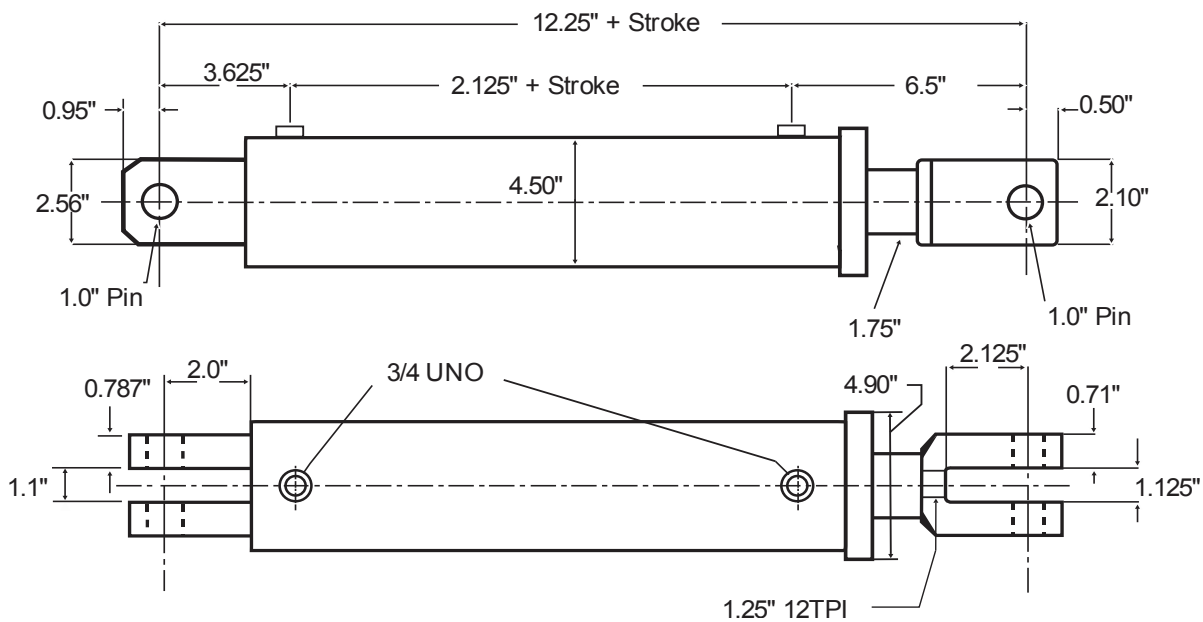
# Industrial Cylinders



## 4.0" Bore

Max Pressure 3000 psi, 16.5 tonne capacity @ 3000 psi

Size	Stroke	Closed Centre	Rod	Pin	Ports	Weight
IND 4008	8.0"	12.25" + Stroke	1.75" (2.0" also Available)	1.0"	3/4 UNO	23.0 kg
IND 4012	12.0"					26.0 kg
IND 4016	16.0"					29.0 kg
IND 4018	18.0"					30.0 kg
IND 4020	20.0"					32.0 kg
IND 4024	24.0"					35.0 kg
IND 4030	30.0"					39.0 kg
IND 4036	36.0"					44.0 kg
IND 4042	42.0"					48.0 kg
IND 4048	48.0"					53.0 kg





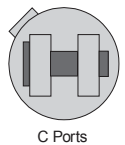
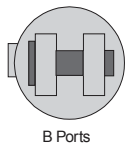
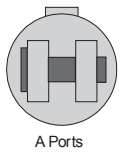
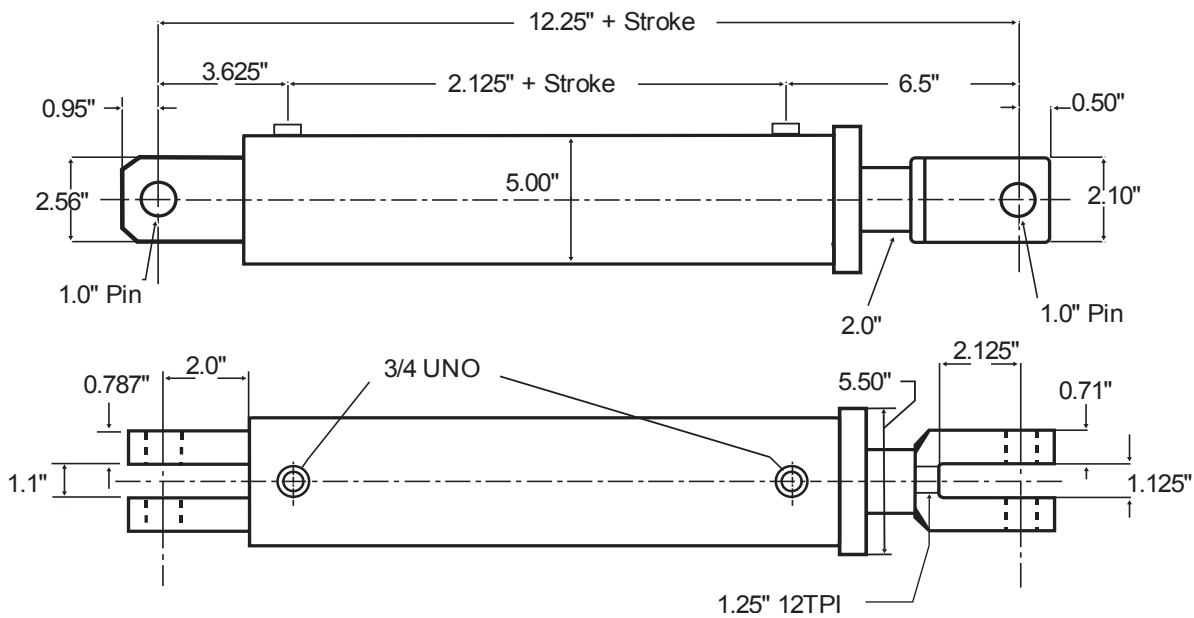
# Industrial Cylinders



## 4.5" Bore

Max Pressure 3000 psi, 16.5 tonne capacity @ 3000 psi

Size	Stroke	Closed Centre	Rod	Pin	Ports	Weight
IND 4508	8.0"	12.25" + Stroke	2.0"	1.0"	3/4 UNO	28.0 kg
IND 4512	12.0"					32.0 kg
IND 4516	16.0"					35.0 kg
IND 4518	18.0"					37.0 kg
IND 4520	20.0"					39.0 kg
IND 4524	24.0"					43.0 kg
IND 4530	30.0"					49.0 kg
IND 4536	36.0"					54.0 kg
IND 4542	42.0"					60.0 kg
IND 4548	48.0"					66.0 kg







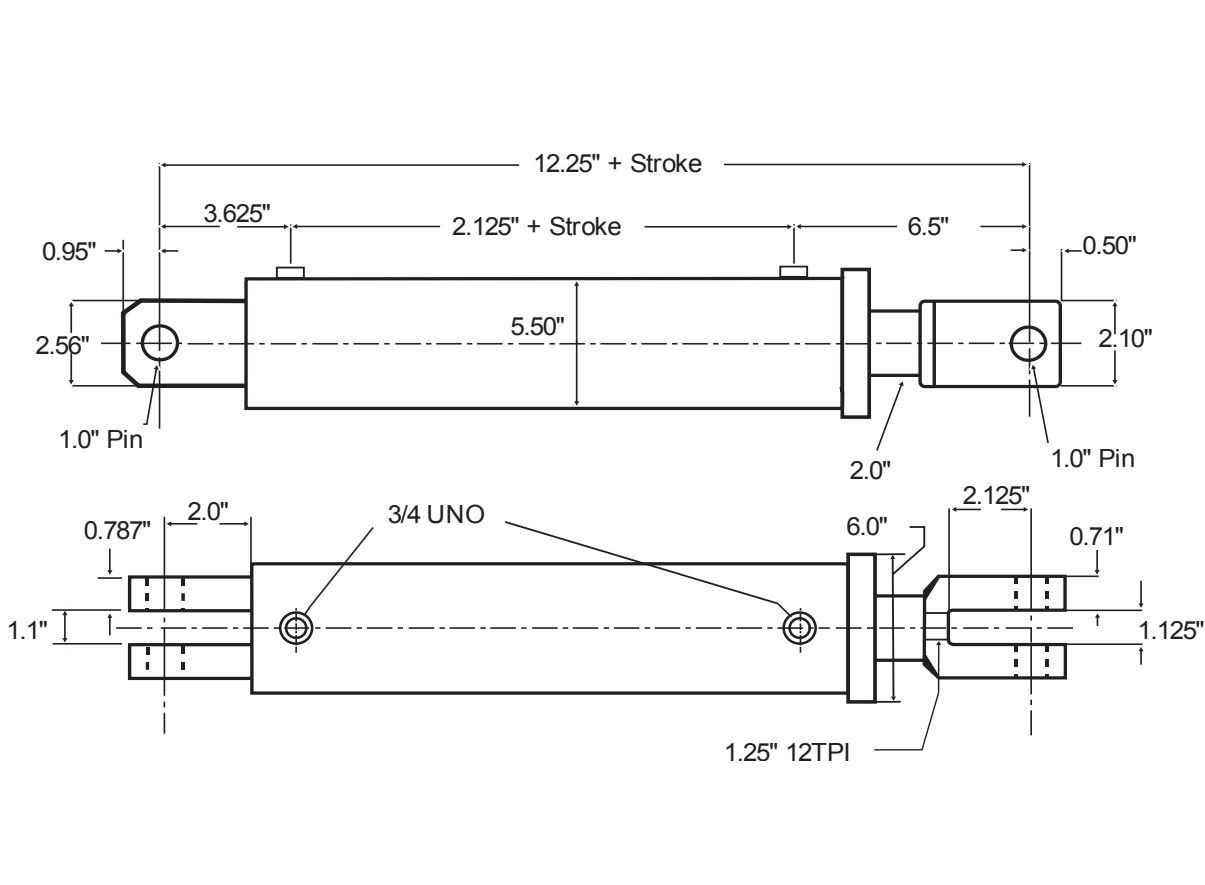
# Industrial Cylinders



## 5.0" Bore

Max Pressure 3000 psi, 26 tonne capacity @ 3000 psi

Size	Stroke	Closed Centre	Rod	Pin	Ports	Weight
IND 5008	8.0"	12.25" + Stroke	2.0"	1.0"	3/4 UNO	
IND 5012	12.0"					
IND 5016	16.0"					
IND 5018	18.0"					
IND 5020	20.0"					
IND 5024	24.0"					
IND 5030	30.0"					
IND 5036	36.0"					
IND 5048	48.0"					





## Phasing Cylinders



### 0.50" Sizes

Standard Stroke Lengths- 8", 12", 18", 24", 36".

Part Number (xx = stroke)	Bore	Rod Dia	Closed Centres	Port	Pin	Stroke / Weight				
						8"	12"	18"	24"	36"
PH 20xx	2.0"	1.25"	12.25" + Stroke	3/4 UNO	1.0"	9.8	11.4	13.8	16.2	21
PH 25xx	2.5"	1.50"				11	13	15	18	23
PH 30xx	3.0"	1.625"				14	16	20	23	30
PH 35xx	3.5"	1.75"				18.5	19	32	35	43
PH 40xx	4.0"	50mm				22	25	34	38	46
PH 45xx	4.5"	2.00"				25	27	37	43	54
PH 50xx	5.0"	55mm				27	29	40	46	59
PH 55xx	5.5"	2.25"				30	34	43	49	63

### 0.25" Sizes

Standard Stroke Lengths- 8", 12", 16", 18", 24", 36".

Part Number (xx = stroke)	Bore	Rod Dia	Closed Centres	Port	Pin	Stroke / Weight					
						8"	12"	16"	18"	24"	36"
PH 25xx	2.5"	1.125"	12.25" + Stroke	3/4 UNO	1.0"	11	12	14	15	18	23
PH 275xx	2.75"	1.125"				12	14	16	17	20	25
PH 30xx	3.0"	1.25"				13	16	18	19	22	29
PH 325xx	3.25"	1.25"				16	19	21	22	25	31
PH 35xx	3.5"	1.25"				18	23	24	25	28	38
PH 375xx	3.75"	1.375"				20	24	29	30	33	40
PH 40xx	4.0"	1.375"				22	25	30	31.5	34.5	42
PH 425xx	4.25"	1.375"				24	26	31.5	32.5	35.5	44
PH 45xx	4.5"	1.5"				26	30	33	34	37	47
PH 475xx	4.75"	1.5"				28	32	34.5	36	39	51
PH 50xx	5.0"	1.5"				30	34	36	38	41	54

Consult QMN for Load and Pressure Details  
Phasing can be on retraction, extension or both

