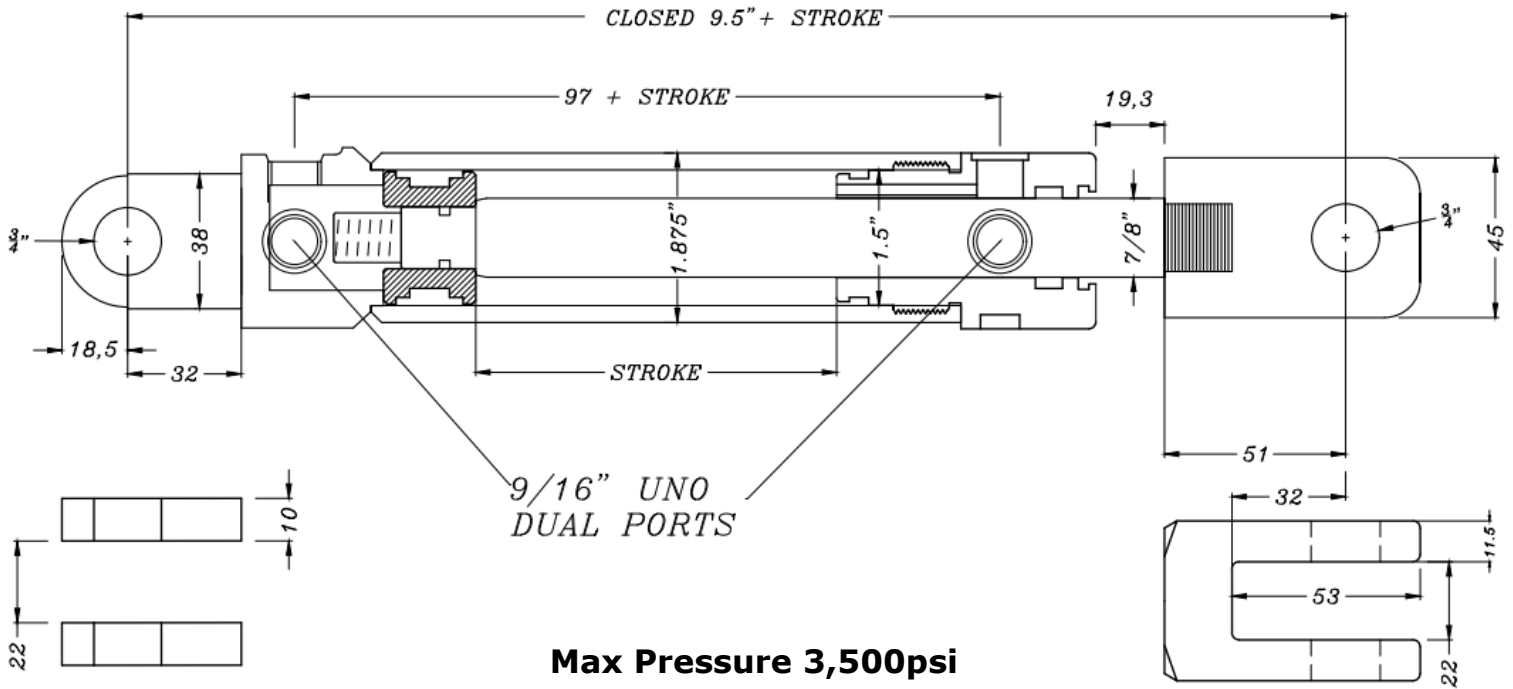




AG Series – 1½" Bore



Max Pressure 3,500psi

2.3 tonne capacity at 3,000psi

Part Number	Stroke	Rod	Pins	Ports	Closed Centre	Weight (KG)
AG 1502D	2"	7/8"	3/4"	9/16" UNO	11 1/2"	4 KG
AG 1503D	3"				12 1/2"	4 KG
AG 1504D	4"				13 1/2"	4 KG
AG 1506D	6"				15 1/2"	4 KG
AG 1508D	8"				17 1/2"	5 KG
AG 1510D	10"				19 1/2"	6 KG
AG 1512D	12"				21 1/2"	6 KG
AG 1514D	14"				23 1/2"	6 KG
AG 1516D	16"				25 1/2"	7 KG
AG 1518D	18"				27 1/2"	7 KG
AG 1520D	20"				29 1/2"	8 KG
AG 1524D	24"				33 1/2"	9 KG
AG 1530D	30"				39 1/2"	10 KG
AG 1536D	36"				45 1/2"	12 KG
AG 1548D	48"				57 1/2"	18 KG

QMN MANUFACTURING PTY LTD
5 BIRD STREET, AYR, Q, 4807
admin@qmn.com.au – 07 4783 5588