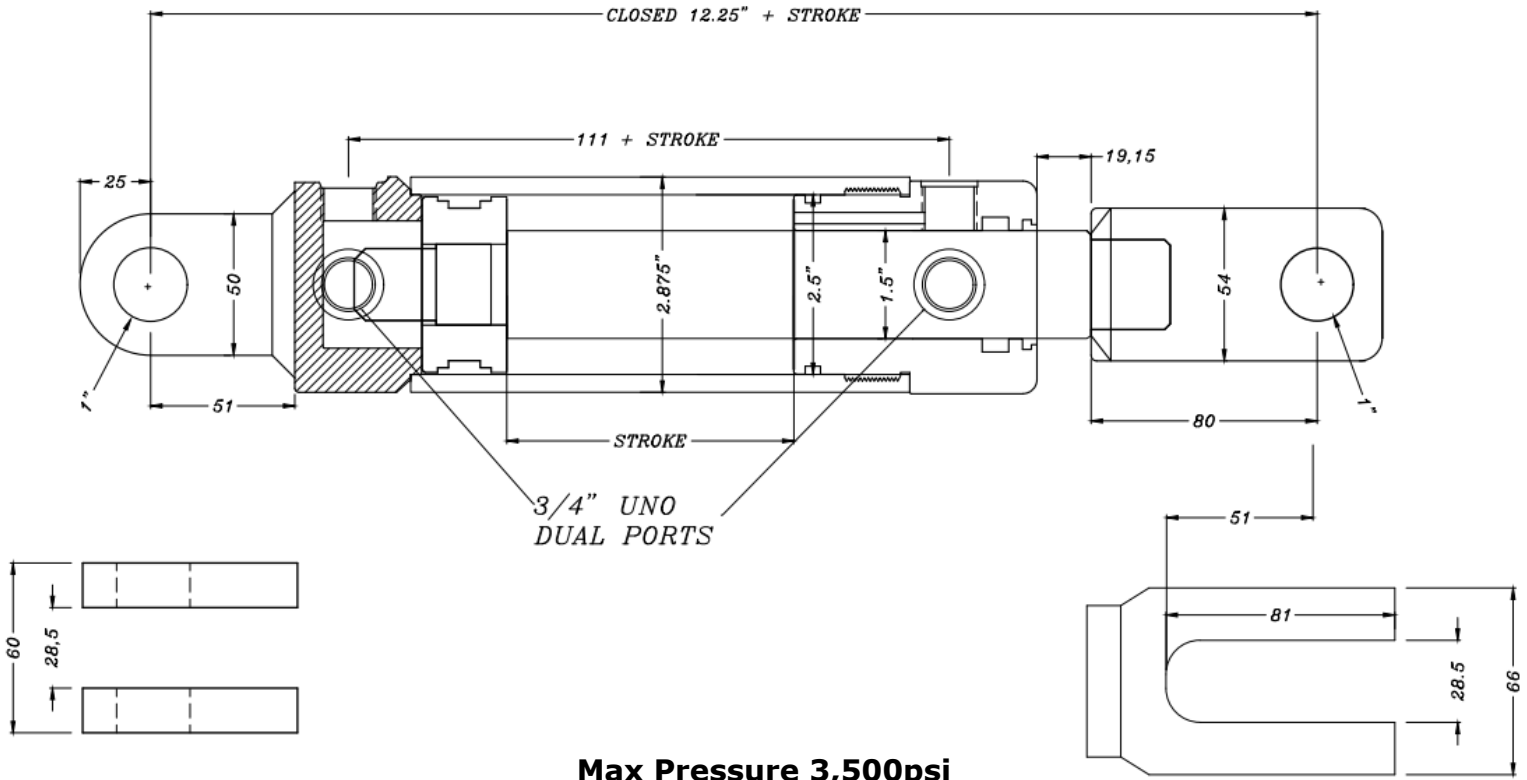




AG Series – 2½" Bore



Max Pressure 3,500psi
6.6 tonne capacity at 3,000psi

Part Number	Stroke	Rod	Pins	Ports	Closed Centre	Weight (KG)
AG 2503D	3"	1 1/2"	1"	3/4" UNO	15 1/4"	8 KG
AG 2504D	4"				16 1/4"	9 KG
AG 2506D	6"				18 1/4"	10 KG
AG 2508D	8"				20 1/4"	11 KG
AG 2510D	10"				22 1/4"	12 KG
AG 2512D	12"				24 1/4"	13 KG
AG 2514D	14"				26 1/4"	14 KG
AG 2516D	16"				28 1/4"	15 KG
AG 2518D	18"				30 1/4"	15 KG
AG 2520D	20"				32 1/4"	16 KG
AG 2522D	22"				34 1/4"	17 KG
AG 2524D	24"				36 1/4"	18 KG
AG 2526D	26"				38 1/4"	19 KG
AG 2528D	28"				40 1/4"	20 KG
AG 2530D	30"				42 1/4"	21 KG
AG 2536D	36"				48 1/4"	23 KG
AG 2542D	42"				54 1/4"	26 KG
AG 2548D	48"				60 1/4"	29 KG

QMN MANUFACTURING PTY LTD
5 BIRD STREET, AYR, Q, 4807
admin@qmn.com.au – 07 4783 5588