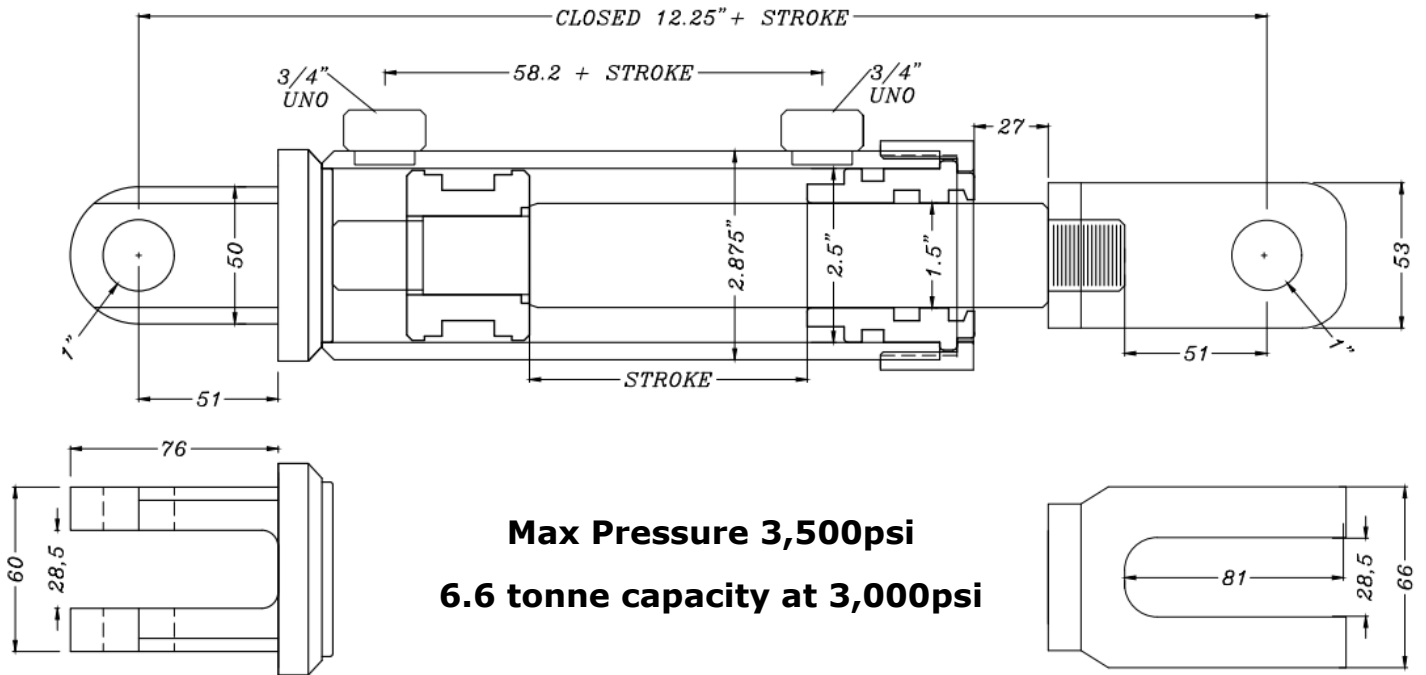




# IND Series – 2½" Bore



**Max Pressure 3,500psi**  
**6.6 tonne capacity at 3,000psi**

Part Number	Stroke	Rod	Pins	Ports	Closed Centre	Weight (KG)
250004150	4"	1 1/2"	1"	3/4" UNO	16 1/4"	9 KG
250006150	6"				18 1/4"	10 KG
250008150	8"				20 1/4"	11 KG
250010150	10"				22 1/4"	12 KG
250012150	12"				24 1/4"	13 KG
250014150	14"				26 1/4"	14 KG
250016150	16"				28 1/4"	15 KG
250018150	18"				30 1/4"	15 KG
250020150	20"				32 1/4"	16 KG
250022150	22"				34 1/4"	17 KG
250024150	24"				36 1/4"	18 KG
250026150	26"				38 1/4"	19 KG
250028150	28"				40 1/4"	20 KG
250030150	30"				42 1/4"	21 KG
250036150	36"				48 1/4"	23 KG
250042150	42"				54 1/4"	26 KG
250048150	48"				60 1/4"	29 KG