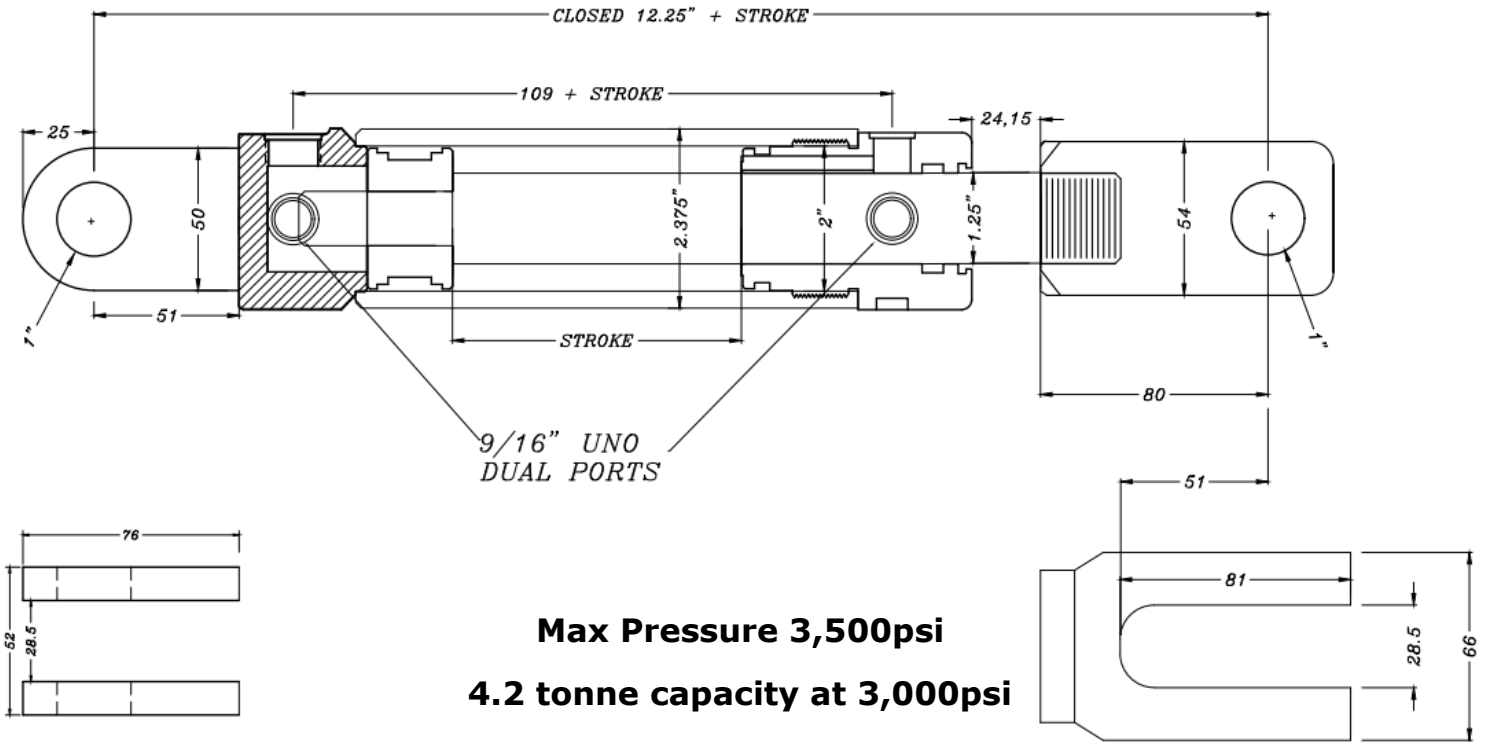




AG Series – 2" Bore



| Part Number | Stroke | Rod | Pins | Ports | Closed Centre | Weight (KG) |
|-------------|--------|--------|------|-----------|---------------|-------------|
| AG 2002D | 2" | 1 1/4" | 1" | 9/16" UNO | 14 1/4" | 8 KG |
| AG 2004D | 4" | | | | 16 1/4" | 9 KG |
| AG 2006D | 6" | | | | 18 1/4" | 9 KG |
| AG 2008D | 8" | | | | 20 1/4" | 10 KG |
| AG 2010D | 10" | | | | 22 1/4" | 11 KG |
| AG 2012D | 12" | | | | 24 1/4" | 11 KG |
| AG 2014D | 14" | | | | 26 1/4" | 12 KG |
| AG 2016D | 16" | | | | 28 1/4" | 13 KG |
| AG 2018D | 18" | | | | 30 1/4" | 14 KG |
| AG 2020D | 20" | | | | 32 1/4" | 15 KG |
| AG 2022D | 22" | | | | 34 1/4" | 15 KG |
| AG 2024D | 24" | | | | 36 1/4" | 16 KG |
| AG 2026D | 26" | | | | 38 1/4" | 17 KG |
| AG 2028D | 28" | | | | 40 1/4" | 18 KG |
| AG 2030D | 30" | | | | 42 1/4" | 19 KG |
| AG 2036D | 36" | | | | 48 1/4" | 21 KG |
| AG 2042D | 42" | | | | 54 1/4" | 23 KG |
| AG 2048D | 48" | | | | 60 1/4" | 26 KG |

QMN MANUFACTURING PTY LTD
5 BIRD STREET, AYR, Q, 4807
admin@qmn.com.au – 07 4783 5588