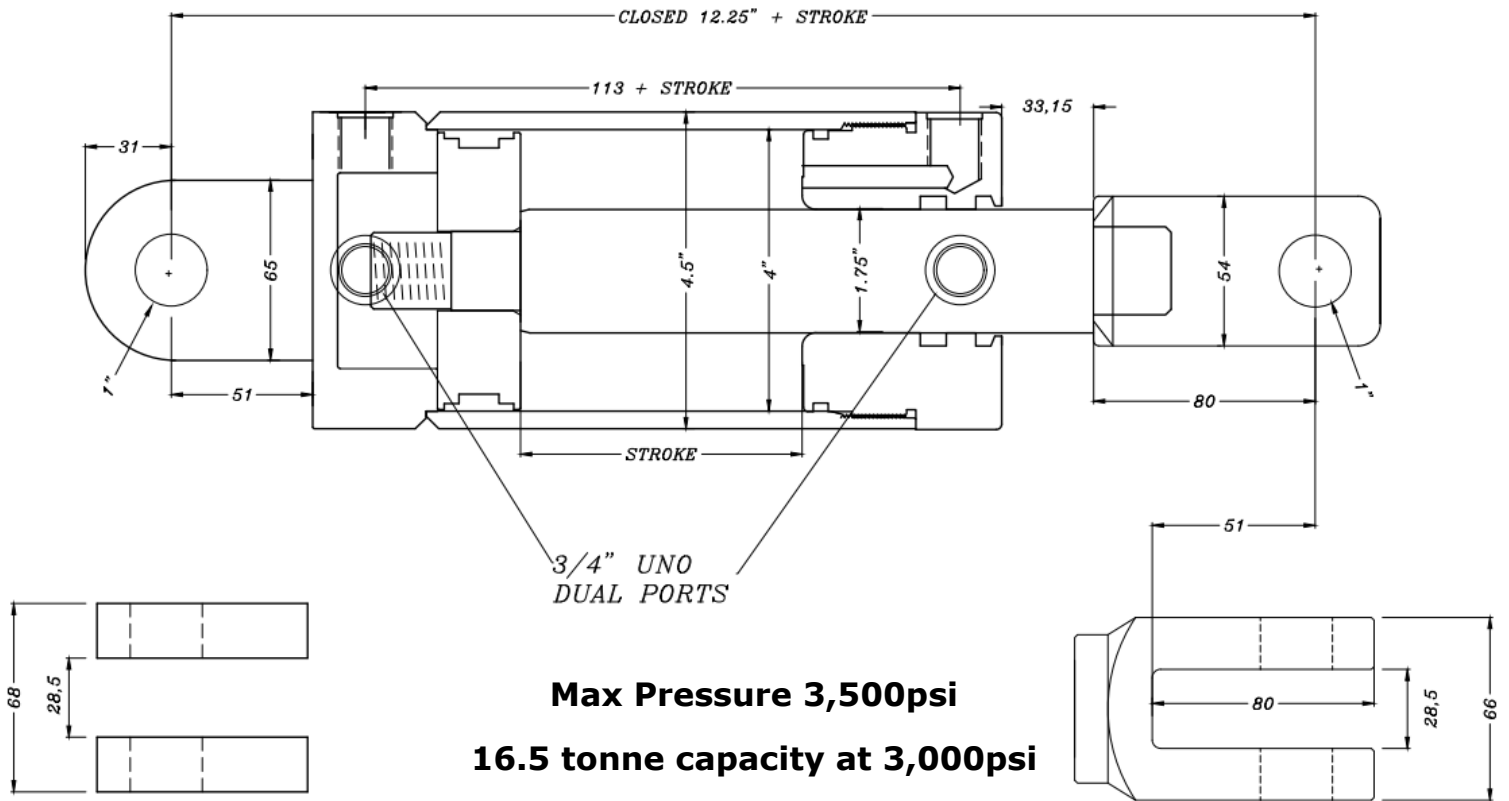




AG Series – 4" Bore



| Part Number | Stroke | Rod | Pins | Ports | Closed Centre | Weight (KG) |
|-------------|--------|--------|------|----------|---------------|-------------|
| AG 4004D | 4" | 1 3/4" | 1" | 3/4" UNO | 16 1/4" | 17 KG |
| AG 4006D | 6" | | | | 18 1/4" | 18 KG |
| AG 4008D | 8" | | | | 20 1/4" | 23 KG |
| AG 4012D | 12" | | | | 24 1/4" | 26 KG |
| AG 4014D | 14" | | | | 26 1/4" | 27 KG |
| AG 4016D | 16" | | | | 28 1/4" | 29 KG |
| AG 4018D | 18" | | | | 30 1/4" | 30 KG |
| AG 4020D | 20" | | | | 32 1/4" | 32 KG |
| AG 4024D | 24" | | | | 36 1/4" | 35 KG |
| AG 4030D | 30" | | | | 42 1/4" | 39 KG |
| AG 4036D | 36" | | | | 48 1/4" | 44 KG |
| AG 4042D | 42" | | | | 54 1/4" | 48 KG |
| AG 4048D | 48" | | | | 60 1/4" | 53 KG |

QMN MANUFACTURING PTY LTD
5 BIRD STREET, AYR, Q, 4807
admin@qmn.com.au – 07 4783 5588