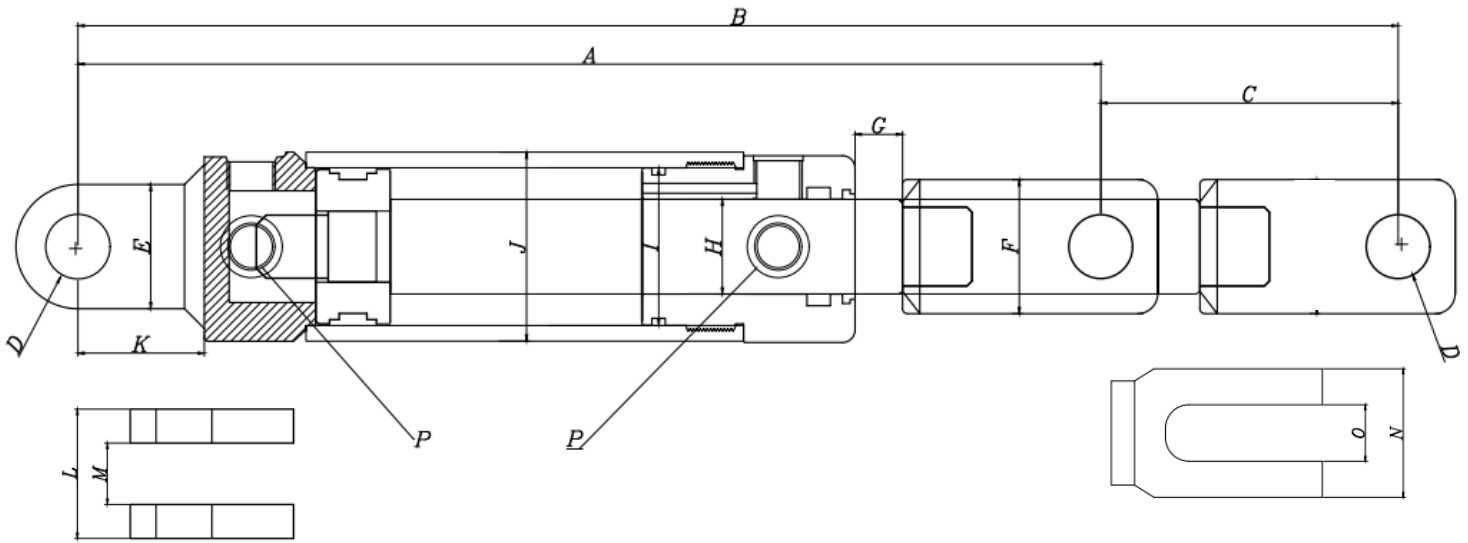




Custom Cylinder Design

Email to admin@qmn.com.au



A - Closed Centre:

B - Open Centre:

C - Stroke:

D - Pin Size:

E - Base End Width:

F - Rod End Width:

G - Rod Stick Out:

H - Rod Diameter:

I - Bore Inside Diameter:

J - Bore Outside Diameter:

K - Pin to Barrel Length:

L - Base Clevis Width:

M - Base Clevis Spacing:

N - Rod Clevis Width:

O - Rod Clevis Spacing:

P¹ - Ports:

OTHER SPECS

- Double Acting
- Single Acting
- Displacement

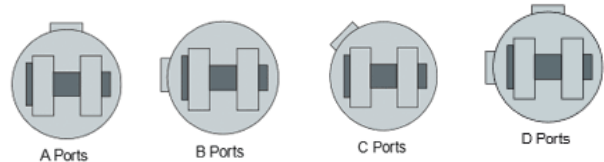
Shaft Material

- K1045 Chrome Bar
- 2205 Stainless Steel Chrome Bar
- 4140 IH Chrome Bar

Operating Pressure

- 3000 PSI
- 4000 PSI
- 5000 PSI
- OTHER: _____

P² - Port Orientation:



NOTES:

Blank area for notes.