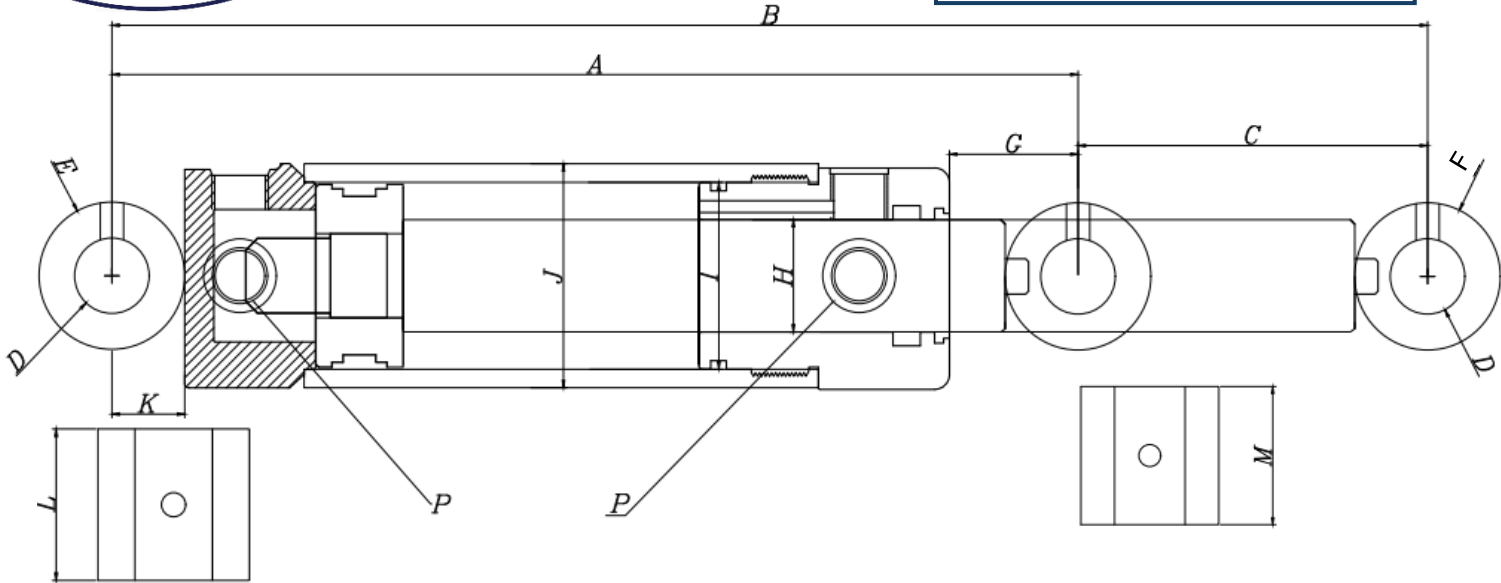




Custom Cylinder Design

Email to admin@qmn.com.au



A - Closed Centre:

B - Open Centre:

C - Stroke:

D - Pin Size:

E - Base End Diameter:

F - Rod End Diameter:

G - Rod Stick Out:

H - Rod Diameter:

Spherical Bearing:
YES / NO
↓
Size:

I - Bore Inside Diameter:

J - Bore Outside Diameter:

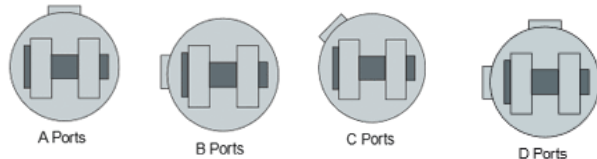
K - Pin to Barrel Length:

L - Base Pineye Width:

M - Base Pineye Width:

P¹ - Ports:

P² - Port Orientation:



OTHER SPECS

Double Acting
 Single Acting
 Displacement

Shaft Material

K1045 Chrome Bar
 2205 Stainless Steel Chrome Bar
 4140 IH Chrome Bar

Operating Pressure

3000 PSI
 4000 PSI
 5000 PSI
 OTHER: _____

NOTES: